

Orbitor Compact



THE
SPRAY NOZZLE
PEOPLE

Bete Limit

Rotary Jet- Compact Model

The Orbitor Compact is a powerful impingement cleaning head. It is geared to rotate fairly slowly to deliver the optimum jet dwell time on the tank wall so as to ensure the maximum cleaning power. Despite its incredible cleaning power the compact design means that the Orbitor 100 can easily fit into a 100mm opening and, with the arms vertically aligned, will squeeze through an 85mm opening.

The Orbitor Compact is typically used in food processing, beverage, pharmaceutical and chemical tank cleaning applications. The compact design means it is suitable for deployment even in relatively small tanks. This means that the power of impingement cleaning can now be delivered to small batch tanks.



Spray characteristics:

Flow rates: 48.3 - 198 l/min
Working Pressure: 4 - 12 bar
Jet length: Up to 8.6 metres
Wash pattern: 360°
Cycle times: 9.5 - 22 minutes

Materials:

Housing: 316L
Nozzle Head: 316L
Gears: PEEK + 316 SS
Bushings: Carbon Filled PTFE

Weight: 2.5Kg

Key product features

- Entirely fluid driven meaning no external power source is required
- Self lubricating
- Powerful jets up to 9 metres in length
- Easy to maintain. Can be stripped and reassembled in 15 minutes.
- ATEX certified zones 0 and T6
- Self cleaning and hygienic design suitable for food and pharmaceutical applications



Made in the UK



The Orbitor is manufactured in the UK exclusively for The Spray Nozzle People by Dasic Marine.

Key Advantages

- **Hygienic** The Orbitor Compact is a fully self cleaning machine and is made from food / pharmaceutical grade hygienic materials.
- **Effectiveness** The Orbitor Compact is a highly effective cleaning machine delivering powerful cleaning jets up-to 9.5 metres in length.
- **Safe** The Orbitor Compact is one of the only tank cleaners that is ATEX certified for use in all zones and temperatures.
- **Powerful** The powerful cleaning jets are configured to rotate at the optimum speed to maximise cleaning power.

Orbitor Compact



THE
SPRAY NOZZLE
PEOPLE

Bete Limited

Rotary Jet- Compact Model

How it works

The Orbitor Compact is a fluid driven rotary jet cleaner. The cleaning fluid is pumped through the Orbitor and this first passes through a turbine which causes the two nozzle arms to spin. The fluid then passes through the nozzles forming a powerful cleaning jet. As the arms rotate the main body also rotates in a set pattern. This is geared so that over a specific period of time (the clean cycle) the cleaning jets are brought to bear on each part of the tank ensuring a thorough, methodical clean.

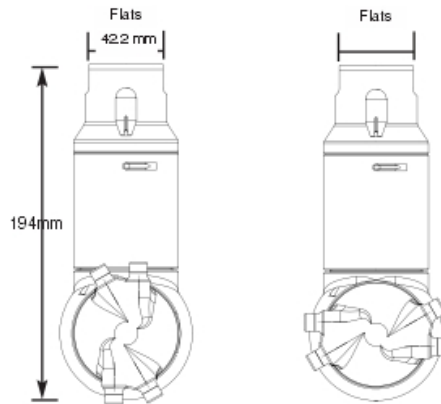
For each configuration of Orbitor there will be a maximum jet length for any given fluid pressure. The max jet length is the overall reach of the resulting spray. The effective cleaning jet length is smaller than this and represents the distance from the machine where a reasonable cleaning action will be achieved. Clearly a more robust clean will be given the further within the effective jet length the target sits.

Wash cycle times

BAR	4x3mm			4x4mm			4x5mm			4x6mm		
	Flow rate l/min	Jet length Mtr	Cycle Time Min	Flow rate l/min	Jet length Mtr	Cycle Time Min	Flow rate l/min	Jet length Mtr	Cycle Time Min	Flow rate l/min	Jet length Mtr	Cycle Time Min
3	48.3	3.7	20	61.7	4.3	26	90.0	4.9	17	115.0	5.4	22.0
4	53.3	4.5	17	71.7	5.1	22	101.7	5.7	14	126.7	6.2	19.0
5	57.5	5.1	14.5	80.0	5.8	19	110.0	6.4	12	138.3	6.9	16.5
6	64.2	5.6	13	90.0	6.4	16	120.0	7.0	11	151.7	7.4	14.5
7	70.0	6.1	12	98.3	6.8	14	128.3	7.4	10.5	163.3	7.9	13.0
8	76.7	6.4	10.8	106.7	7.2	12.5	138.3	7.8	10	175.0	8.2	12.0
9	83.3	6.7	10	113.3	7.5	11.5	146.7	8.0	9.5	186.7	8.5	11.0
10	90.0	6.9	9.5	120.0	7.6	11	155.0	8.1	9.5	198.3	8.6	10.0

These are effective cleaning jet lengths so the Orbitor can clean a tank with a diameter approximately twice these lengths. It will produce wetting at a distance approximately 50% higher than those shown in the table above.

Dimensions



Vertical alignment
85mm clearance

Horizontal alignment
100mm clearance

Configurations

Feature	Available Options
Hygienic	As standard. Non-hygienic as an option.
ATEX	ATEX options available
Clean Pattern	360° only
Nozzle Sizes	3,4,5 or 6mm