

Orbitor 2

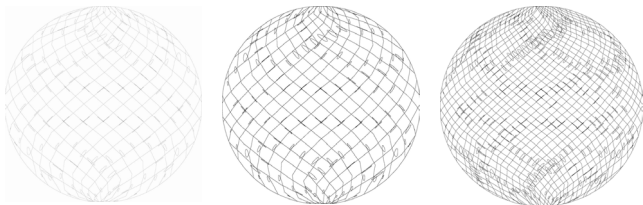
Rotary Jet- 2 Nozzle

The Orbitor 2 is the two-nozzle variant of the Orbitor tank cleaning system. This is a hygienic, self cleaning, self lubricating and highly versatile tank washing machine capable of cleaning tough residues from tanks from 2 - 35 metres in diameter.

The Orbitor 2 is typically used in food processing, beverage, pharmaceutical and chemical tank cleaning applications. Its versatile design, however, means it can be configured to clean tough residues in almost any industrial application.

Key product features

- Entirely fluid driven meaning no external power source is required
- Self lubricating
- Powerful jets up to 20 metres in length
- Easy to maintain. Can be stripped and reassembled in 15 minutes.
- ATEX certified zones 0 and T6
- Self cleaning and hygienic design suitable for food and pharmaceutical applications



Spray pattern builds up over a set cycle

Made in the UK



The Orbitor is manufactured in the UK exclusively for The Spray Nozzle People by Dasic Marine.



Spray characteristics:

- Flow rates: 80 - 900 l/min
- Working Pressure: 4 - 10 bar
- Jet length: Up to 20 metres
- Wash pattern: 360°
- Cycle times: 15.5 - 33 minutes

Materials:

- Housing: 316L
- Nozzle Head: 316L
- Gears: PEEK + 316 SS
- Bushings: Carbon Filled PTFE

Weight: 8Kg

ROTARY JET

Key Advantages

- **Hygienic** The Orbitor 2 is a fully self cleaning machine and is made from food / pharmaceutical grade hygienic materials.
- **Effective** The Orbitor 2 is a highly effective cleaning machine delivering powerful cleaning jets up to 20 metres in length.
- **Safe** The Orbitor 2 is one of the only tank cleaners that is ATEX certified for use in all zones and temperatures.
- **Powerful** The two nozzle configuration means that larger nozzles with higher flow rates can be deployed extending the jet length to over 20 metres

Orbitor 2

Rotary Jet- 2 Nozzle

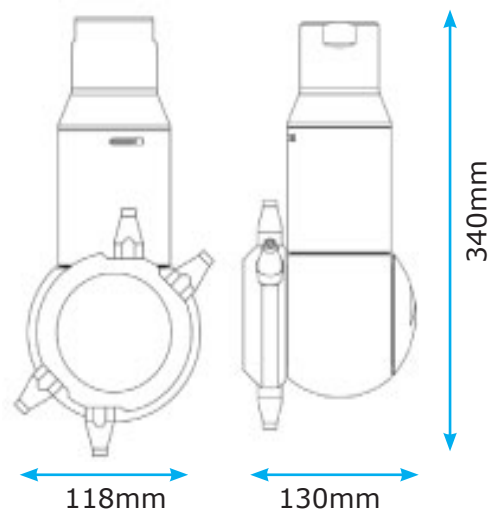
How it works

The Orbitor 2 is a fluid driven rotary jet cleaner. The cleaning fluid is pumped through the Orbitor and this first passes through a turbine which causes the two nozzle arms to spin. The fluid then passes through the nozzles forming a powerful cleaning jet. As the arms rotate the main body also rotates in a set pattern. This is geared so that over a specific period of time (the clean cycle) the cleaning jets are brought to bear on each part of the tank ensuring a thorough, methodical clean.

For each configuration of Orbitor there will be a maximum jet length for any given fluid pressure. The max jet length is the overall reach of the resulting spray. The effective cleaning jet length is smaller than this and represents the distance from the machine where a reasonable cleaning action will be achieved. Clearly a more robust clean will be given the further within the effective jet length the target sits.

Configurations

Feature	Available Options
Hygienic	Non-hygienic as an option.
ATEX	ATEX options available
Clean Pattern	360° only
Nozzle Sizes	6,7,8,10 or 12.5mm



ROTARY JET

Effective jet length, flow rate and cycle times

BAR	2x6mm			2x7mm			2x8mm			2x10mm			2x12.5mm		
	Flow rate l/min	Jet length Mtr	Cycle Time Min	Flow rate l/min	Jet length Mtr	Cycle Time Min	Flow rate l/min	Jet length Mtr	Cycle Time Min	Flow rate l/min	Jet length Mtr	Cycle Time Min	Flow rate l/min	Jet length Mtr	Cycle Time Min
3	80	5.5	33	93.3	6.5	37.5	117	7.2	25.7	217	9.8	41	330	10.1	26.8
4	91.7	6	27.2	117	7.2	31.6	150	8	22.9	255	10.5	34.2	383	11.2	24
5	108	6.3	24.7	137	7.9	28.2	172	8.7	20.5	290	11.5	30.5	433	12.1	21.7
6	122	7	22.6	153	8.5	25.8	190	9.4	18.9	320	12.7	28	473	13.4	19.8
7	130	8	21	168	9.2	24	203	10.3	17.5	347	13.9	26	512	14.8	18.4
8	140	9	19.5	182	10.4	22.3	213	11.3	16.4	368	15.2	24.5	547	16.4	17.2
9	148	10.2	18.4	192	11.3	21	223	12.4	15.6	390	17	23.2	572	18.3	16.3
10	157	11.5	17.4	200	12.3	20	232	13.5	14.9	405	18.8	22	600	20.1	15.5