



THE
SPRAY NOZZLE
PEOPLE

PJ

Smallest Physical Size

MISTING

DESIGN FEATURES

- ✓ High energy efficiency
- ✓ One-piece, compact construction
- ✓ No whirl vanes or internal parts
- ✓ 1/4" male connection
- ✓ Standard: 100-mesh 316ss screen
- ✓ Optional: 200 mesh 316ss screen
- ✓ Optional: 20 micron paper

SPRAY CHARACTERISTICS

- ✓ Finest fog of any direct pressure nozzle
- ✓ Spray pattern: Cone-shaped Fog
- ✓ Spray angles: 90°. For best 90° pattern, operate nozzle at or above 4 bar
- ✓ Flow rates: 0.043 to 5.34 l/min



The PJ misting nozzle works by impacting the fluid on a special impingement pin. This shatters the fluid into very fine droplets. The PJ nozzle is a very efficient atomiser and produces the smallest drop sizes of any direct pressure nozzle. The PJ is used in many applications including:

Dust Suppression
Moistening
Evaporative Cooling
Odour Control
Coating
Air Conditioning
And More.

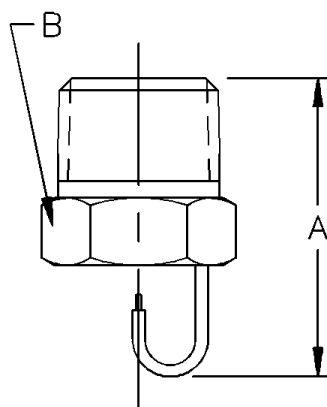
CALL NOW : +44 (0) 1273 400092

www.spray-nozzle.co.uk

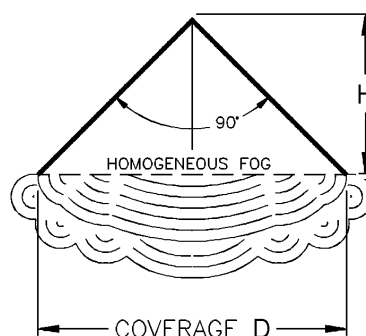
The Go-to People for spray nozzle solutions



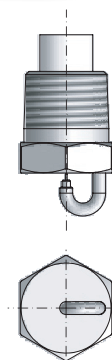
Fog



Male



Fog Pattern



PJ with polypropylene filter

PJ Nozzles flow rate and dimensions

Nozzle No.	K Factor	Flow Rate @ Bar								Orifice Dia	Coverage	Spray Height	Dimensions		Weight (g)
		2 bar	3 bar	5 bar	10 bar	20 bar	30 bar	50 bar	70 bar				A	B	
PJ6	0.0137			0.031	0.043	0.061	0.075	0.097	0.114	0.152	203	103			
PJ8	0.0259			0.058	0.082	0.116	0.142	0.183	0.217	0.203	254	127			
PJ10	0.0387		0.067	0.087	0.123	0.173	0.212	0.274	0.324	0.254	254	127	19.1	11.1	
PJ12	0.0524		0.091	0.117	0.166	0.234	0.287	0.371	0.439	0.305	254	127			
PJ15	0.0843	0.119	0.146	0.189	0.267	0.377	0.462	0.596	0.705	0.381	254	127			
PJ20	0.153	0.216	0.264	0.341	0.483	0.683	0.836	1.08	1.28		310	155			
PJ24	0.228	0.322	0.395	0.51	0.721	1.02	1.25	1.61	1.91		400	200			
PJ28	0.296	0.419	0.513	0.662	0.937	1.32	1.62	2.09	2.48	0.711	460	230	24.6	14.2	
PJ32	0.41	0.58	0.71	0.917	1.297	1.83	2.25	2.9	3.43	0.813	560	280			
PJ40	0.638	0.902	1.11	1.43	2.02	2.85	3.49	4.51	5.34	1.02	610	305			