

# Pressure Reducing Valve



THE  
**SPRAY NOZZLE**  
PEOPLE



## **P60 Miniature Pressure Reducing Valve**

---

4 Way Type P60 Miniature Pressure Reducing Valve - 1/4"

# 4 Way Type P60 Miniature Pressure Reducing Valve - 1/4"

## Features

4 Way Connection

Corrosion resistant thermoplastic body

Compact design and lightweight construction

Miniature pressure reducing valve in corrosion proof acetal plastic

All external components are made of NSF approved thermoplastics

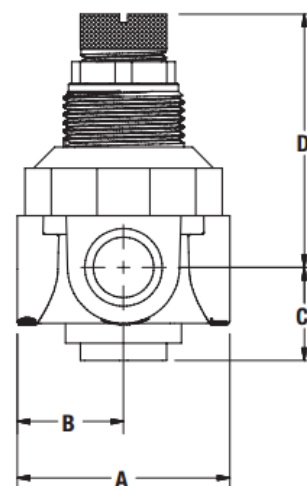
All internal rubber components such as disc, diaphragm and seals are all FDA grade elastomers

All internal metal components in contact with fluid are of 300 Series stainless steel

Straight through or 90° inlet to outlet option

High capacity

Bottom "clean out plug" for service



## Dimensions

A	B	C	D (max)	D (min)
39 mm	19.5 mm	17 mm	70 mm	62 mm

## Product Specification

AWC Product Code	Connection Size	PSI	Pressure Set At	Max upstream Pressure:	Minimum Temp	Maximum Temp
660-467-0507	1/4" FBSP x FBSP	0-25 psi	15 psi	21 bar	5 °C	66 °C
660-467-0508	1/4" FBSP x FBSP	0-60 psi	40 psi	21 bar	5 °C	66 °C

## Materials

Body: NSF grade Noryl® thermoplastic

Spring Cage: NSF grade Acetal thermoplastic

Adjusting Screw: NSF grade Acetal thermoplastic

Disc: EDPM (FDA)

Diaphragm: Buna-N (FDA)

Bottom Plug: NSF grade Acetal thermoplastic

O-Ring Seals: Buna-N (FDA)

Bottom Spring: 300 Series stainless steel

Stem: 300 Series stainless steel



[www.spray-nozzle.co.uk](http://www.spray-nozzle.co.uk)



THE  
**SPRAY NOZZLE**  
PEOPLE