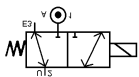


Media: air – water – gas – light oil  
 Pressure range: 0 to 11 Bar max  
 Media temperature: -10°C +80°C max  
 Ambient temperature: -20° to +60°C  
 Media viscosity: 50 centistokes max  
 Mounting: any position  
 Weight: 460g / 670g



Universal

# 3/2 Brass 1/4 UNIVERSAL 3 WAY DIRECT ACTING 0 – 11 Bar TYPE VX



## PRESSURE

Ø Port BSP	Ø Orifice (mm)	Flow Kv Ltr/ min	Coil	Pressure Rating (Bar)				Part Number
				Min	Max AC	Max DC	Seal	
1/4	1.6	1.5	WPG1	0	7	4.9	NBR	VX3121N + voltage VX3121V + voltage
							FKM	
	2.2	2.7	WPG1	0	5	3.5	NBR	VX3122N + voltage VX3122V + voltage
							FKM	
1.6	1.5	WPG2	0	11	7.7	NBR	VX3221N + voltage VX3221V + voltage	
						FKM		
2.2	2.7	WPG2	0	7	4.9	NBR	VX3222N + voltage VX3222V + voltage	
						FKM		

## OPTIONS

IP67 (EN60529:1991+A1:2000) UL + CSA Approved Coil + IP65 Connector PG11 with LED – DIN 43650 A  
 NPT Thread

## ELECTRICAL DATA

Voltage (-10% + 10%) Continuous duty 100%		Coil	Power Consumption		Insulation class	Enclosure	Electrical connections
~	=		Inrush	Holding			
~	24 - 48 - 110 - 230 - 380 (50 or 60 Hz)	WPG1	11.2VA	8.2VA	H 180°C	IP 65 with connector	3 spades DIN 43650 DIN 40050 VDE 0110
=	12 - 24 - 48 (DC)		12 Watts				
~	24 - 48 - 110 - 230 - 380 (50 or 60 Hz)	WPG2	18.7VA	15.3VA			
=	12 - 24 - 48 (DC)		18 Watts				

## CONSTRUCTION

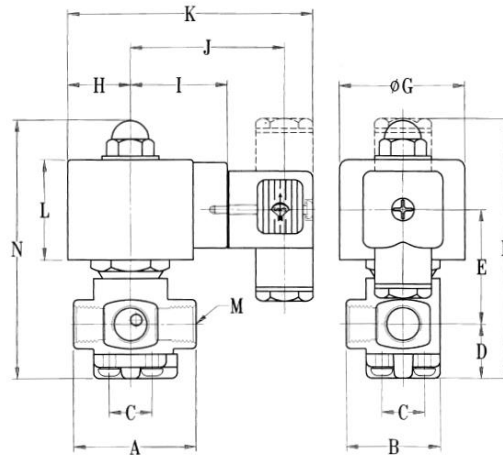
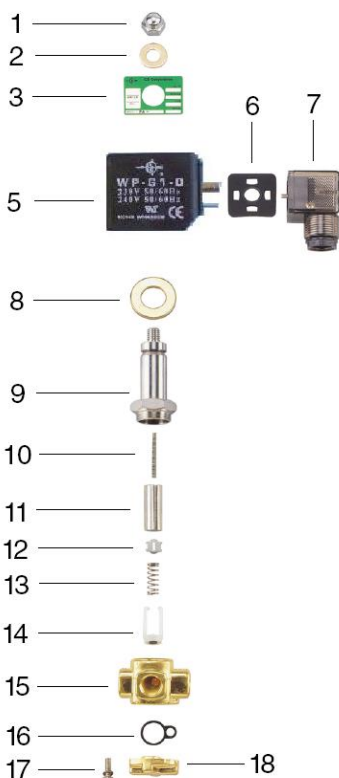
Body : Brass  
 Tube and Spring: 304 Stainless Armature: 430F Stainless Other internal parts: Stainless  
 Seals and gaskets: NBR or FKM  
 Moulded coil: Resin

## REPAIR KIT

Coil	Coil (WPG1 or WPG2) + voltage
Armature Assembly	SP + Valve Part Number -ARMATURE

## OVERALL DIMENSIONS

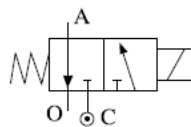
Model	A	B	C	D	E	F	G	H	I	J	K	L	M	N
VX31	43	33	15	19	46	96	35	20	33	54	86	33	1/4	92
VX32	43	33	15	19	48	98	40	23	35	56	89	38	1/4	95



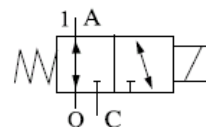
Inlet C= Normally Closed

Inlet O= Normally Open

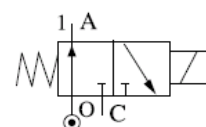
Inlet A= Universal



Normally closed

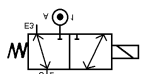


Universal



Normally open

Media: air – water – gas – light oil  
 Pressure range: 0 to 11 Bar max  
 Media temperature: -10°C +80°C max  
 Ambient temperature: -20° to +60°C  
 Media viscosity: 50 centistokes max  
 Mounting: any position  
 Weight: 460g / 670g



Universal

# 3/2 Stainless Steel

## 1/4

### UNIVERSAL

### 3 WAY DIRECT ACTING

### 0 – 11 Bar

## TYPE VXS



#### PRESSURE

Ø Port BSP	Ø Orifice (mm)	Flow Kv Ltr/ min	Coil	Pressure Rating (Bar)				Part Number
				Min	Max AC	Max DC	Seal	
1/4	1.6	1.5	WPG1	0	7	4.9	NBR	VXS3121N + voltage
							FKM	VXS3121V + voltage
	2.2	2.7	WPG1	0	5	3.5	NBR	VXS3122N + voltage
							FKM	VXS3122V + voltage
1.6	1.5	WPG2	0	11	7.7	NBR	VXS3221N + voltage	
						FKM	VXS3221V + voltage	
2.2	2.7	WPG2	0	7	4.9	NBR	VXS3222N + voltage	
						FKM	VXS3222V + voltage	

#### OPTIONS

IP67 (EN60529:1991+A1:2000) UL + CSA Approved Coil + IP65 Connector PG11 with LED – DIN 43650 A  
 NPT Thread

#### ELECTRICAL DATA

Voltage (-10% + 10%) Continuous duty 100%		Coil	Power Consumption		Insulation class	Enclosure	Electrical connections
~	=		Inrush	Holding			
~	24 - 48 - 110 - 230 - 380 (50 or 60 Hz)	WPG1	11.2VA	8.2VA	H 180°C	IP 65 with connector	3 spades DIN 43650 DIN 40050 VDE 0110
=	12 - 24 - 48 (DC)		12 Watts				
~	24 - 48 - 110 - 230 - 380 (50 or 60 Hz)	WPG2	18.7VA	15.3VA			
=	12 - 24 - 48 (DC)		18 Watts				

#### CONSTRUCTION

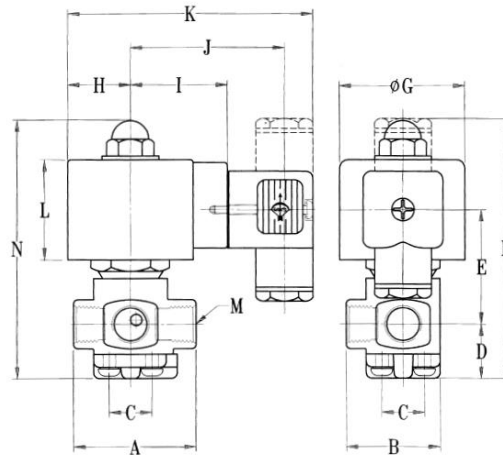
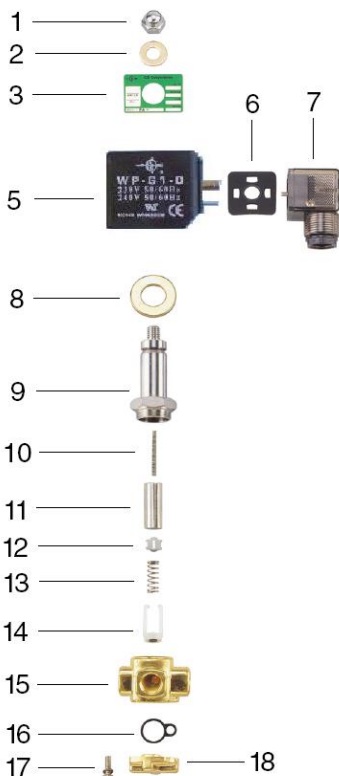
Body : 316 stainless steel  
 Tube and Spring: 304 Stainless Armature: 430F Stainless Other internal parts: Stainless  
 Seals and gaskets: NBR or FKM  
 Moulded coil: Resin

#### REPAIR KIT

Coil	Coil (WPG1 or WPG2) + voltage
Armature Assembly	SP + Valve Part Number -ARMATURE

#### OVERALL DIMENSIONS

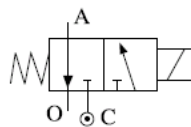
Model	A	B	C	D	E	F	G	H	I	J	K	L	M	N
VXS31	43	33	15	19	46	96	35	20	33	54	86	33	1/4	92
VXS32	43	33	15	19	48	98	40	23	35	56	89	38	1/4	95



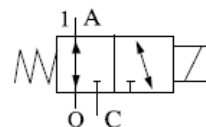
Inlet C= Normally Closed

Inlet O= Normally Open

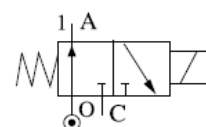
Inlet A= Universal



Normally closed



Universal



Normally open