

XA

Low Flow Air Atomizing

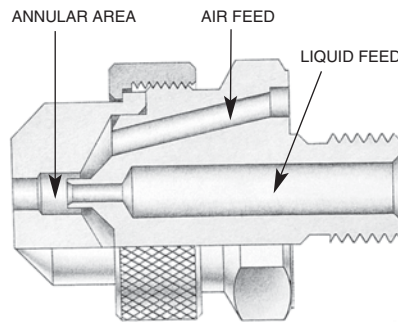
The XA nozzle system uses the energy in compressed air to produce highly atomized sprays at low flow rates. There are many interchangeable components that can be assembled to achieve a variety of spraying objectives.

SPRAY SET-UPS

XA nozzles produce eight distinctly different types of sprays, depending on which interchangeable air and fluid caps are selected. The spray type and flow rate are determined by the "set-up" — a specific combination of one air cap and one fluid cap.

Internal Mix Set-ups

Liquid and air streams meet within the nozzle and are mixed together and expelled through the same orifice(s). This internal mixing means the streams are not independent; a change in air flow will affect the liquid flow. This makes precise metering of the liquid more difficult than with an External Mix Set-up. Internal Mix Set-ups are able to produce the finest atomization of any of the XA set-ups, but they are generally not suitable for use with liquids which have a viscosity that is above 200 centipoise.



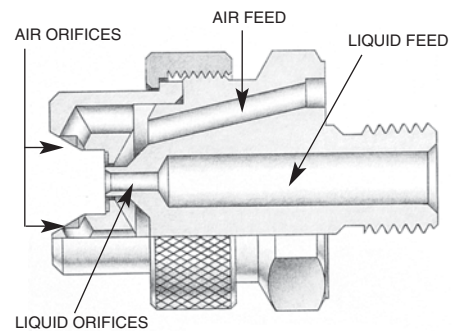
Cutaway View: Internal Mix Set-up

External Mix Set-ups

The air and liquid streams exit the nozzle independently and are combined and mixed outside of the nozzle. Because there is no connection between the air and liquid lines within the nozzle, the air and liquid flow rates can be controlled independently, allowing precise metering of the liquid. The atomization can be controlled by adjusting the air flow rate — more air produces finer atomization. In most

cases these set-ups do not atomize as finely as Internal Mix Set-ups.

External Mix Set-ups may be used with liquids having a viscosity above 200 centipoise and for abrasive suspensions. BETE Applications Engineers can provide guidance for



Cutaway View: External Mix Set-up

spraying high viscosity liquids.

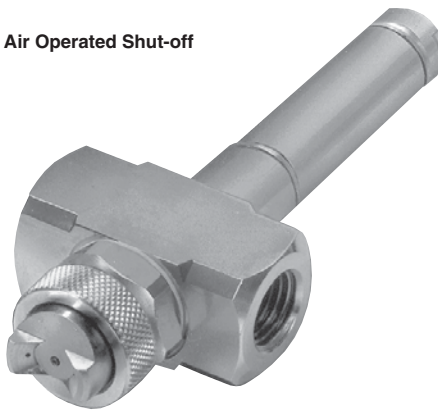
Siphon Set-ups

Internal and External Mix Set-ups require the liquid to be supplied to the nozzle under pressure from a municipal water supply, pump, or pressure pot. Siphon Set-ups use the flow of compressed air within the nozzle to siphon liquid from a container. Siphon Set-ups are frequently used for spraying additives from a container without the use of a pump. They provide the

AIR ATOMIZING

TO ORDER: specify pipe size, body style, spray set-up #, hardware and mounting assemblies, and material. See page 78.

E. Air Operated Shut-off



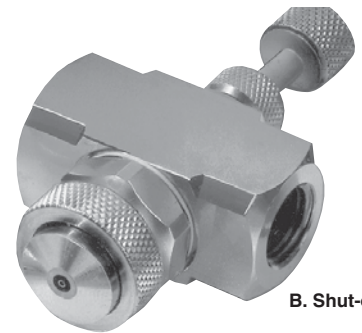
A. End Plug



D. Clean-out/Shut-off



B. Shut-off



Bold letters (A, B, C, D, E, F) refer to hardware assemblies shown on p. 78.

XA Components & Options

lowest flow rates available in the XA series (as low as 0.38 L/hr). They are generally not suitable for use with liquids having a viscosity above 200 centipoise.

By supplying the liquid under pressure, SR Set-ups may be used with liquids having a viscosity above 200 centipoise. In this case, the liquid flow rate is regulated by the fluid cap, and can be determined by using the EF chart for the specific fluid cap.

BASIC OPERATION

The basic XA nozzle assembly consists of a body, a spray set-up, and a "hardware assembly" that can provide shut-off and clean-out capabilities.

Non-Automatic Operation

The XA00 Square Body is the basic component of a non-automatic XA nozzle. Air and liquid feeds are located at opposite ends, perpendicular to the spray.

The XA03 Body has air and liquid feeds on one side, perpendicular to the spray axis.

The XA05 Body has air and liquid inlets located in-line with the spray. Hardware assemblies cannot be used with the XA05 body.

Hardware Assemblies for Non-Automatic Operation

A. Plug. The minimum option hardware assembly required for XA operation. Provides neither clean-out nor shut-off.

B. Shut-off. Turning the knurled knob will stop the flow of liquid to the nozzle. Should not be used to meter the flow of liquid.

C. Clean-out. Pressing the spring-loaded plunger will force a small diameter rod through the liquid orifice, cleaning any obstruction. Useful for intermittent spraying of a liquid that may dry in the orifice when not in use.

D. Clean-out/Shut-off. Combines functions of hardware assemblies B and C in one unit.



PR Air Cap



Fluid Cap



FF Air Cap



SR Air Cap



ER Air Cap



EF Air Cap

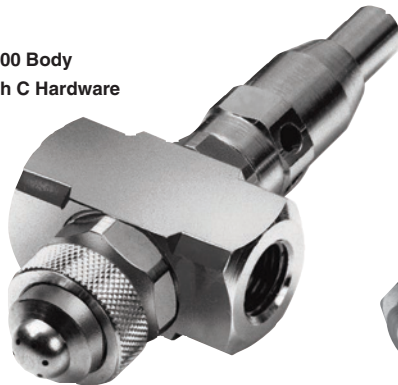


XW Air Cap

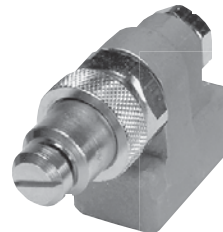


PF Air Cap

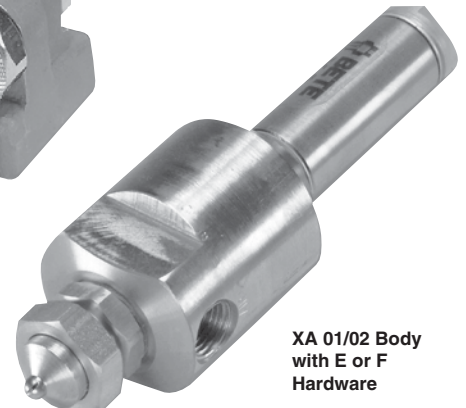
XA00 Body with C Hardware



XA05 Body



XA03 Body



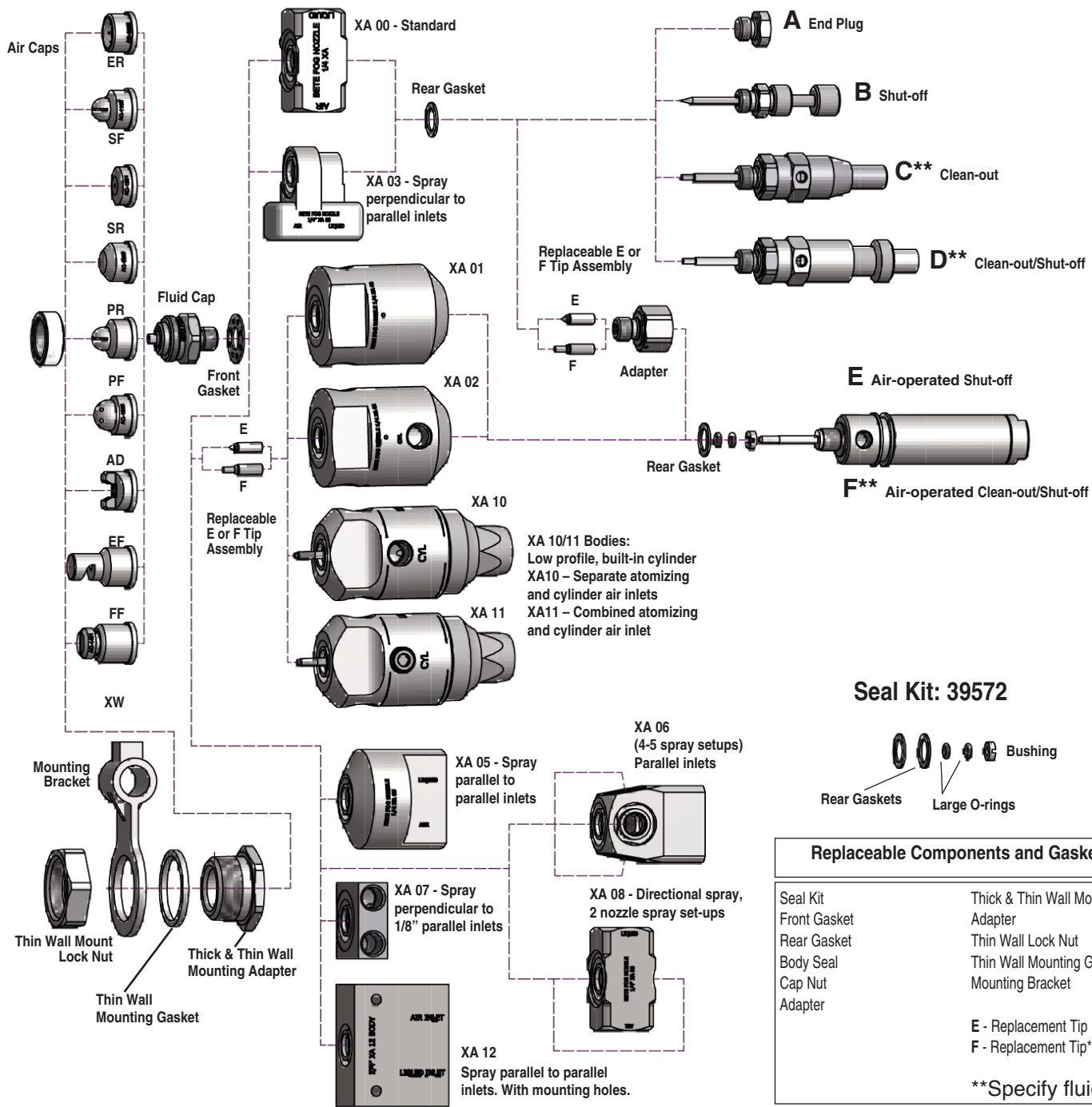
XA 01/02 Body with E or F Hardware

XA Components & Options

Spray Set-up

Body Styles and Seals

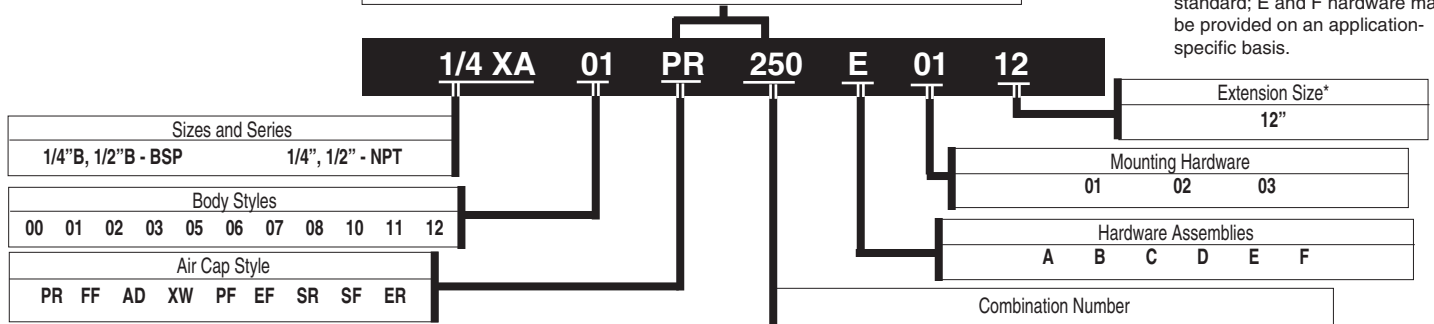
Hardware Assemblies



Replaceable Components and Gaskets	
Seal Kit	Thin & Thin Wall Mount
Front Gasket	Adapter
Rear Gasket	Thin Wall Lock Nut
Body Seal	Thin Wall Mounting Gasket
Cap Nut	Mounting Bracket
Adapter	
	E - Replacement Tip
	F - Replacement Tip**
	**Specify fluid cap

TO ORDER

Spray Set-up Number



*For extensions, A hardware is standard; E and F hardware may be provided on an application-specific basis.

AIR ATOMIZING

TO ORDER: specify pipe size, body style, spray set-up #, hardware and mounting assemblies, and material. See page 78.

XA Components & Options

AUTOMATIC OPERATION

For critical applications which require automatic, no-drip, or high-speed spray shut-off, the XA can be supplied with an air-cylinder-operated shut-off or clean-out/shut-off. These air cylinders provide virtually instantaneous liquid shut-off at rates of up to 180 cycles per minute. *The air cylinders require a minimum of 5.5 bar to run that fast.*

Bodies for Automatic Operation

The XA01, XA02, XA10, and XA11 Round Bodies are rugged, highly reliable, and well-suited to the rigors of high-cycle automatic operation. They have been designed to simplify the feed piping required for installing automatic nozzles by providing a constant location for the air inlet piping. With their neat, professional appearance, they are particularly recommended for OEM applications.

The XA01 Round Body has one inlet for air and one for liquid. Because the air inlet supplies air for both cylinder movement and liquid atomization, spraying during start-up and shut-off is not as crisp and precise as with the XA02. *The XA01 body cannot be used with atomizing air pressure under 2 bar.*

The XA02 Round Body has two inlets for air and one inlet for liquid. One of the air inlets supplies the cylinder and the other supplies

atomizing air. The XA02 body must be used when the air cylinder operates at a different pressure from the atomizing air or where the atomizing air is supplied below 2 bar. *NOTE: The XA00 Square and XA03 Bodies used for non-automatic operation can also be used, with hardware assemblies E or F, for automatic operation. Special design features allow field upgrading to automatic operation.*

The XA10 and XA11 Bodies have a built in air-operated cylinder. The integral cylinder provides a smaller profile for use where space is limited.

Hardware Assemblies for Automatic Operation

E. Air-Operated Shut-off. Removal of air pressure to the cylinder causes a spring-loaded poppet valve actuator to shut off liquid flow.

F. Air-Operated Clean-out/Shut-off. Operation similar to E, but includes a clean-out needle.

SOLENOID VALVES

Electrically operated solenoid valves can be used to control the operation of any XA nozzle. BETE can supply solenoid valves matched to your specific application.

Solenoids for Automatic XA Nozzles.

A 3-way, quick-exhaust solenoid valve is required to operate the E or F hardware assembly. The valve is

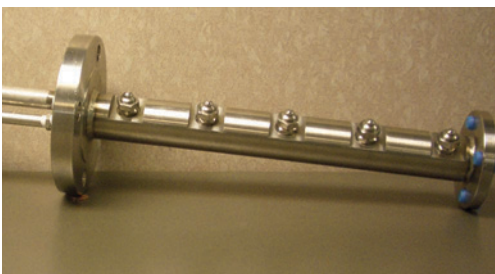
located in the line that supplies air to the cylinder, as close to the nozzle as possible. Independent control of the atomizing air of an XA02 or square body requires an additional 2-way solenoid valve.

Solenoids for Non-Automatic XA Nozzles.

Two-way solenoid valves can be used to stop and start the flow of air and liquid to any non-automatic XA nozzle.

FILTERS, REGULATORS AND STRAINERS

For optimum reliability, every XA nozzle should have a strainer and regulator in the liquid feed line and a filter and regulator in the air feed line. Every XA nozzle with a Siphon Feed Set-up should have a filter and regulator in the air line. The size and type of each of these components depends on the application, and can be determined by your BETE sales representative. BETE maintains an inventory of filters, strainers, and regulators that can be supplied with your XA nozzle to ensure reliable operation. These components can be purchased individually or in kit form.



Simple piping and robust design describe this multiple nozzle XA lance.



The XA06 manifold body can be fitted with up to five nozzle setups and is often used for humidification of large areas.



Corrosion-resistant XA in PVC

XA Components & Options

SPRAY EXTENSIONS

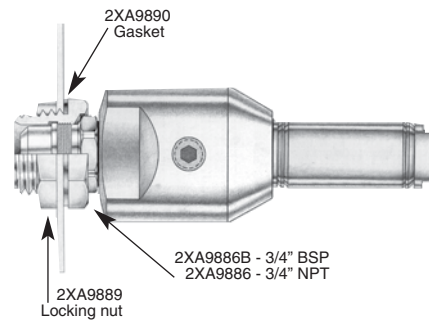
The spray set-up can be moved away from the nozzle body by using optional 152mm or 305mm extensions. These allow the spray to be moved closer to the target while keeping the nozzle body and associated piping at a distance.

MOUNTING HARDWARE

In many XA installations the nozzle is supported by the rigid metal pipe that supplies air or liquid. There are several components which can provide support for the XA Bodies when it isn't appropriate to suspend the nozzle from piping; for example, when the nozzle will spray through the wall of a tank or duct, or when the air and liquid will be supplied through flexible tubing. All XA bodies except the XA03 can be used with any of the mounting hardware described here.

Thin Wall 02 Adapter

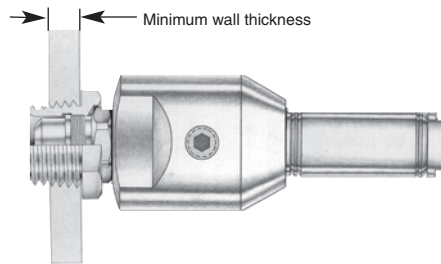
Three-piece adapter used to support an XA nozzle with the body located outside a tank or duct having a relatively thin (less than 10mm) wall and the spray directed into the interior. To use this adapter, a 27mm diameter hole must be drilled through the wall. This adapter both secures the air cap and attaches the nozzle body to the tank wall.



XA02 with Thin Wall 02 Adapter

Thick Wall 01 Adapter

Similar in design and function to the Thin Wall Adapter, but intended for use with tanks or ducts with walls that are thick enough (10mm or over) to be drilled and tapped for a 3/4" NPT thread.



XA02 with Thick Wall 01 Adapter

Mounting Bracket 03 Adapter

This bracket is used in combination with a Thin Wall Adapter to support an XA nozzle from a 13mm-diameter metal rod. The bracket allows flexibility in aiming the spray.

MATERIALS

Bodies, Fluid Caps, Air Caps, Hardware Assemblies, Mounting Hardware

The standard materials for the XA series are nickel-plated brass and 303 and 316 stainless steels. Other metals and plastics can be supplied on request. See page 12 for a complete material list.

Air Cylinders

The air cylinders used for XA hardware assemblies E and F have rods and cylinders made of stainless steel and end caps made of anodized aluminum. All metal parts in contact with the spray liquid are 316 stainless steel.

Seals

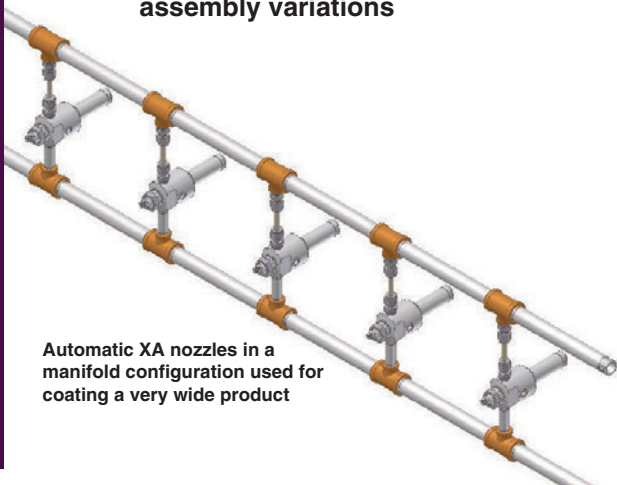
The standard material for XA gaskets is compressed fiber with a neoprene binder. For installations requiring FDA approval, SBR gaskets are available. Other elastomeric and metallic gasket materials can be supplied on request.

The standard material for O-rings in XA automatics is Viton®. Other materials available on request.

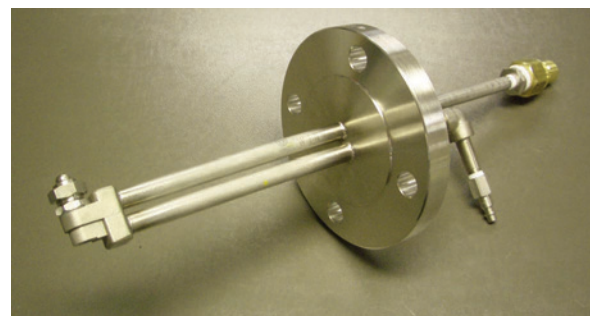


XA03 Mounting Bracket

BETE can fabricate XA nozzles into any number of lance assembly variations



Automatic XA nozzles in a manifold configuration used for coating a very wide product



Spray lance (see pages 18, 19) with a right angle XA and quick-connect fittings

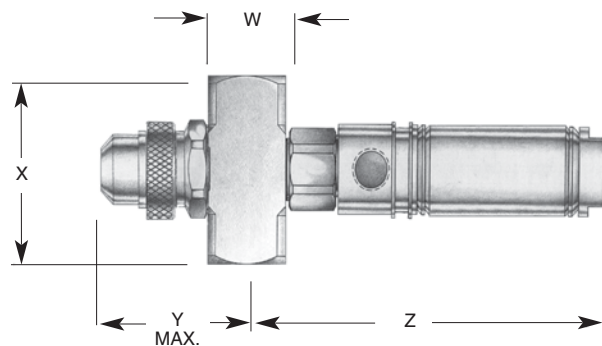
XA Components & Options

Spray Set-up Numbers

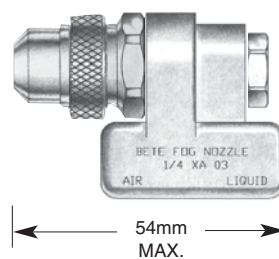
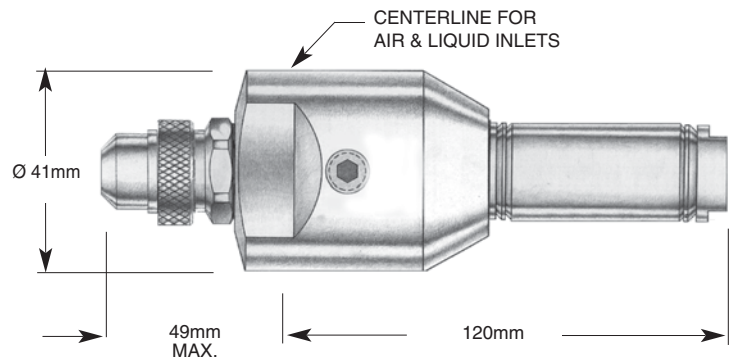
SPRAY SET-UP	PIPE SIZE BSP or NPT	SET-UP NO.	FLUID CAP	AIR CAP		
EF	FLAT FAN (EXTERNAL MIX)	1/4	EF 050	FC7	AC1001	
			EF 100		AC1003	
			EF 150	FC4	AC1001	
			EF 200		AC1003	
			EF 250		AC1001	
			EF 300	FC3	AC1003	
			EF 350		AC1002	
			EF 400	FC6	AC1004	
			EF 450		AC1002	
			EF 500	FC2	AC1004	
			EF 550		AC1002	
			EF 600	FC1	AC1004	
		EF 650	FC8	AC1005		
		EF 700	FC9	AC1005		
		EF 750	FC5	AC1005		
	1/2	EF 5050	FC501	AC5001		
SF	SIPHON FLAT FAN	1/4	SF 050	FC3	AC1101	
			SF 100	FC6	AC1102	
			SF 150	FC2	AC1103	
			SF 200	FC2	AC1104	
SR	SIPHON ROUND	1/4	SR 050	FC7	AC1201	
			SR 150	FC4	AC1201	
			SR 200	FC4	AC1202	
			SR 250	FC3	AC1202	
			SR 400	FC1	AC1204	
			SR 450	FC5	AC1205	
	1/2	SR 5050	FC501	AC5201		
PF	PRESSURE FLAT FAN	1/4	PF 050	FC4	AC1301	
			PF 100	FC3	AC1303	
			PF 150	FC3	AC1301	
			PF 200	FC3	AC1302	
			PF 250	FC2	AC1304	
			PF 300	FC1	AC1304	
		PF 350	FC1	AC1305		
		PF 400	FC5	AC1306		
	1/2	PF 5050	FC501	AC5301		
		PF 5100	FC502	AC5302		
XW	EXTRA WIDE-ANGLE ROUND	1/4	XW 050	FC8	AC1401	
		1/2	XW 5050	FC502	AC5401	
PR	PRESSURE ROUND	1/4	PR 050	FC4	AC1501	
			PR 100	FC4	AC1502	
			PR 150	FC3	AC1502	
			PR 200	FC2	AC1503	
			PR 250	FC1	AC1503	
			PR 300	FC5	AC1504	
			1/2	PR 5050	FC501	AC5501
				PR 5100	FC502	AC5502
AD	WIDE ANGLE ROUND	1/4	AD 050	FC4	AC1601	
			AD 100	FC2	AC1603	
			AD 150	FC2	AC1602	
			AD 200	FC1	AC1603	
			AD 250	FC1	AC1604	
			AD 300	FC5	AC1605	
			1/2	AD 5050	FC501	AC5601
				AD 5100	FC501	AC5602
		AD 5150	FC501	AC5603		
		AD 5200	FC502	AC5604		
FF	DEFLECTED FLAT FAN	1/4	FF 050	FC10	AC1701	
ER	NARROW ANGLE ROUND	1/4	ER 050	FC7	AC1801	
			ER 150	FC4		
			ER 250	FC3		
			ER 350	FC6	AC1802	
			ER 450	FC2		
			ER 550	FC1		
			ER 650	FC3	AC1803	
			ER 750	FC9		
		ER 850	FC5			

Dimensions with Hardware Options for XA00 Body, BSP or NPT

Pipe Size	Hardware Option	Dimensions in (mm)			
		W	X	Y	Max. "Z"
1/4	A				14.3
	B				42.3
	C	22.2	42.9	49.2	63.5
	D				77.0
	E				103
	F				103
1/2	A	31.8	63.5	68.3	25.4

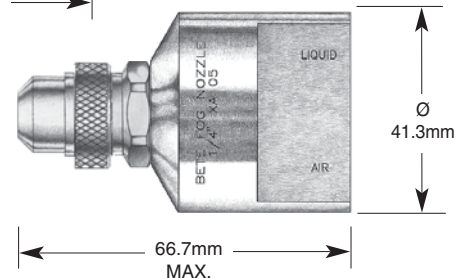


Overall Dimensions of XA Assemblies with XA00 Body (Shown with E or F Hardware)



Overall Dimensions for Assemblies with XA03 Bodies

Overall Dimensions for Assemblies with XA05 Bodies



AIR ATOMIZING

CALL 413-772-0846
Call for the name of your nearest BETE representative.

XA Components & Options

SYSTEM SET-UPS AND ACCESSORIES

BETE carries a complete line of controls and accessories required for setting up a system using the XA Series nozzles.

Contact your BETE representative for details.

Pressure System Set-up

In a pressure-fed system, the liquid is supplied under pressure to either internal or external mix BETE XA Series nozzles.

Air and liquid regulators control the fluid delivery pressure, while the air filter and liquid strainer ensure that the supplied fluids are of high quality.

Operational control is maintained by manual or solenoid valves used in conjunction with the various hardware assemblies.

Siphon System Set-up

In a siphon-fed system, the liquid is supplied by either a siphon or gravity feed.

An air regulator controls the air delivery pressure, while the air filter ensures that the compressed air is of high quality.

Operational control is maintained by manual or solenoid valves used in conjunction with the various hardware assemblies.

When used as a gravity feed set-up, a positive liquid shutoff capability should be provided.

Filters, regulators, and strainers matched to your XA application are available from stock.

