

CLUMP

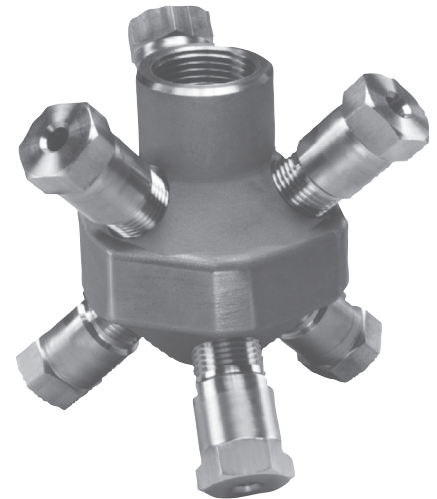
Tank Washing Nozzles

DESIGN FEATURES

- Each nozzle in the stationary cluster is a BETE clog-resistant full cone nozzle of the MaxiPass® series
- Can be supplied with various other BETE nozzles for any desired application
- Female connection

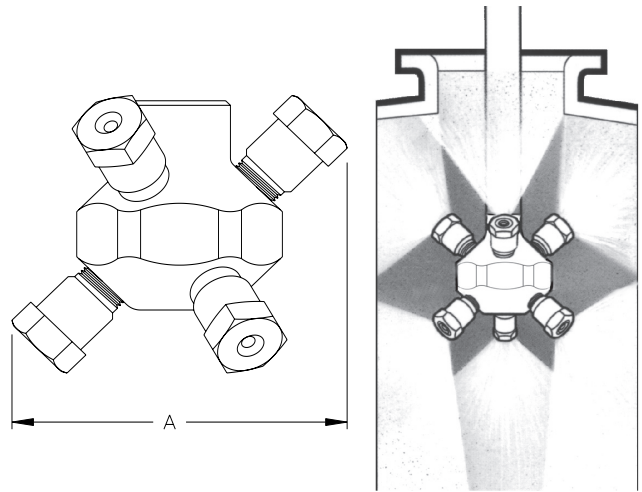
SPRAY CHARACTERISTICS

- Spherical omni-directional coverage
 - Six nozzles arranged in cluster to project spray in all directions
- Flow rates: 28.1 to 290 l/min
(Special flow rates available)



CLUMP- Coverage Chart When Spraying at 3 - 4 bar

Female Pipe Size	Nozzle Number	Scrubbing Diameter(mm)	Rinsing Diameter ((mm)
3/4"	CLUMP125	1200	2400
	CLUMP156	1200	3700
	CLUMP187	1800	4300
1"	CLUMP187	1800	4300
	CLUMP218	2400	4300
	CLUMP2500	3000	4900



Typical CLUMP installation

STATIC

Dimensions are approximate. Check with BETE for critical dimension applications.

LEM Flow rates and dimensions Spherical 360° Spray Angle 3/4" and 1" BSP or NPT

Female Pipe Size	Female Pipe Size	K Factor	Flow Rate l/min						A (mm)	(kg) Metal	Weight (kg) Plas
			0.7 bar	1 bar	2 bar	3 bar	4 bar	5 bar			
3/4"	CLUMP125	33.2	28.1	33.2	46.0	55.6	63.7	70.8	120	1.29	0.22
	CLUMP156	52.7	44.6	52.7	73.2	88.2	101	112			
	CLUMP187	76.2	65.7	76.2	106	128	146	163			
1"	CLUMP187	76.2	65.7	76.2	106	128	146	163	146	2.34	0.4
	CLUMP218	121	103	121	168	203	232	258			
	CLUMP250	136	115	136	188	228	261	290			

Flow rate (l/min) = K(bar)^{1/2}

Standard Materials: Brass, inox 316, PVC and PTFE

Spray angle performance varies with pressure. Contact BETE for specific data on critical applications.