



THE
SPRAY NOZZLE
PEOPLE

CW

Low Flow



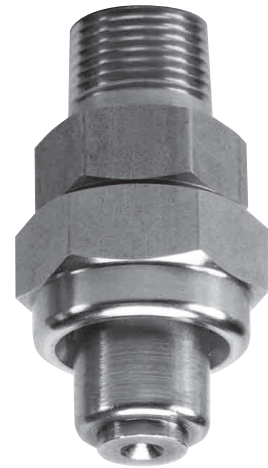
FULL CONE or HOLLOW CONE

DESIGN FEATURES

- ✓ Standard 3-piece construction
- ✓ Optional 50- or 100-mesh strainer
- ✓ Male and female connections
- ✓ Interchangeable spray tips

SPRAY CHARACTERISTICS

- ✓ Spray patterns: Full Cone (F) Or Hollow Cone (H)
- ✓ Spray angles: 80° and 120°
- ✓ Flow rates: 0.424 to 8.39 l/min



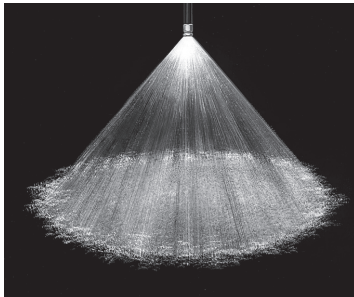
The CW is a three piece construction nozzle that consists of a base/body, a spray tip, and a retaining cap. The tips can be interchanged to give different spray patterns from the same assembly. The CW is available with both hollow cone and full cone spray tips. It is used in a variety of spray applications including:

Foam Control
Fire Protection
Parts cooling
And more.

CALL NOW : +44 (0) 1273 400092

www.spray-nozzle.co.uk

The Go-to People for spray nozzle solutions



80° Full Cone



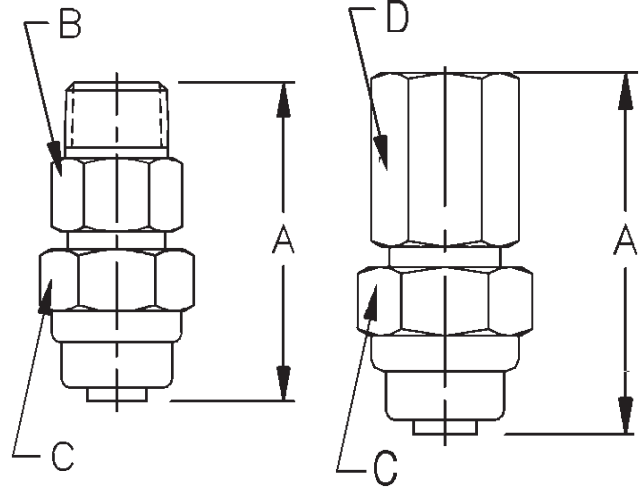
120° Full Cone



80° Hollow Cone



120° Hollow Cone



CW Flow Rates and Dimensions

Full Cone 80° and 120° Spray Angles, Hollow Cone 80° and 120° Spray Angles, 1/8" to 3/8", BSP or NPT
Standard Materials: Brass, 303 Stainless Steel and 316 Stainless Steel.

| Size | Nozzle No.* | K | Flow Rate (l/min) at Bar | | | | | | | | Orifice Dia. (mm) | Male or female pipe size | Dimensions (mm) | | | | Wt (g) Metal |
|-----------------|----------------|-------|--------------------------|---------|-------|-------|-------|-------|--------|--------|-------------------|--------------------------|-----------------|------|------|------|--------------|
| | | | 0.5 bar | 0.7 bar | 1 bar | 2 bar | 3 bar | 5 bar | 10 bar | 15 bar | | | A | B | C | D | |
| 1/8" | CW25 | 0.587 | 0.424 | 0.497 | 0.587 | 0.814 | 0.984 | 1.25 | 1.73 | 2.1 | 1.14 | 1/8" | 52.3 | 17.5 | 20.6 | 17.3 | 71 |
| | OR CW50 | 1.17 | 0.848 | 0.993 | 1.17 | 1.63 | 1.97 | 2.5 | 3.47 | 4.19 | 1.37 | | | | | | |
| 1/4" | CW75 | 1.76 | 1.27 | 1.49 | 1.76 | 2.44 | 2.95 | 3.75 | 5.2 | 6.29 | 1.6 | 3/8" | 52.3 | 17.5 | 20.6 | 20.6 | |
| OR CW100 | 2.35 | 1.7 | 1.99 | 2.35 | 3.25 | 3.94 | 5.01 | 6.93 | 8.39 | 2.18 | | | | | | | |

* Available in Full Cone (order CW25F) and Hollow Cone (order CW25H)

$$\text{Flow Rate (l/min)} = K (\text{bar})^{0.47}$$