



THE
SPRAY NOZZLE
PEOPLE

NCK

Narrow Angle Injector



FULL CONE

DESIGN FEATURES

- ▼ Narrow spray angles
- ▼ High velocity
- ▼ Male and female connections
- ▼ Flanged connections available

SPRAY CHARACTERISTICS

- ▼ Coarse and extremely hard-driving spray with even distribution
- ▼ Spray pattern: Full Cone
- ▼ Spray angles: 15°, 20°, and 30°
- ▼ Flow rates: 23.1 to 4660 L/min (Special flow rates available)



Flanged



Metal

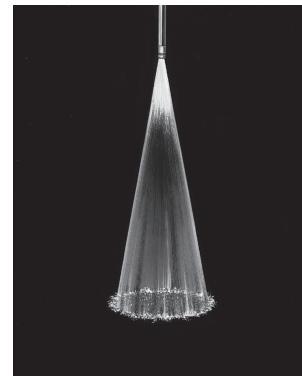
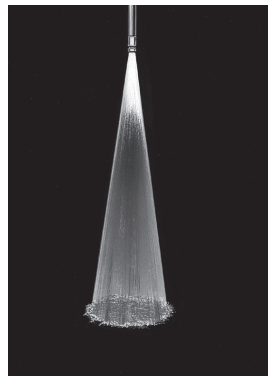
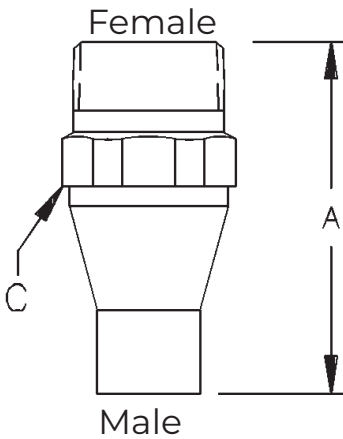
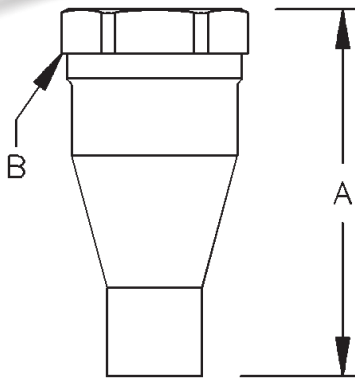
The NCK nozzle is a high flow rate narrow angle full cone nozzle with coarse atomisation. This nozzle has a very hard driving evenly distributed spray with a high outlet velocity. This type of nozzle is used in a variety of applications including:

Venturi Scrubbers
Chemical Injection
Gas Quench
Distribution
Gas Scrubbing
And more

CALL NOW : +44 (0) 1273 400092

www.spray-nozzle.co.uk

The Go-to People for spray nozzle solutions



Full cone 15°

Full cone 20°

Full cone 30°

NCK Flow Rates and Dimensions

Full Cone, 15°, 20° and 30° Spray Angles, 3/4" to 6" Pipe Sizes, BSP or NPT
Standard materials: Brass, Stainless Steel, PVC, Polypropylene and PTFE

Male or female pipe size	Nozzle No.	K	Litres per minute @ BAR								Ori Dia mm	Dimensions (mm)			Wt (kg)	
			0.5 BAR	0.7 BAR	1 BAR	1.5 BAR	2 BAR	3 BAR	5 BAR	7 BAR		A	B	C	PVC	Metal
3/4	NC0706K	32	23.1	27	32	38.7	44.3	53.6	68.1	79.8	7.52	82.6	34.9	28.4	0.04	0.34
1	NC1012K	64	46.2	54.1	64	77.4	88.6	107	136	160	10.3	88.9	44.5	35.1	0.06	0.45
1 1/4	NC1218K	95.9	69.3	81.1	95.9	116	133	161	204	239	12.3	102	50.8	44.5	0.11	0.57
1 1/2	NC1526K	139	100	117	139	168	192	232	295	346	15.1	127	63.5	50.8	0.2	1.02
2	NC2048K	256	185	216	256	310	354	429	545	638	20.2	152	76.2	63.5	0.37	1.13
2 1/2	NC2572K	384	277	325	384	464	532	643	818	958	24.6	178	82.6	76.2	0.62	2.61
3	NC30105K	560	404	473	560	677	775	938	1190	1400	29.5	203	97.5	88.9	0.85	2.84
4	NC40190K	1010	731	856	1013	1220	1400	1697	2160	2530	40.5	254	127	114	2.04	6.8
6	NC60350K	1860	1380	1580	1860	2260	2580	3126	3980	4660	54	343	181	168	2.78	15.9

Flow Rate (l/min) = K (bar)^{0.47}