



THE  
**SPRAY NOZZLE**  
PEOPLE

# ORBITOR ECO

Rotary Jet



## TANK WASH

### DESIGN FEATURES

- ✓ Very fast cycle times between 1.8 - 6 minutes
- ✓ Up to 95% water saving when compared to static spray balls
- ✓ Up to 75% water saving when compared to rotary spray balls
- ✓ Entirely fluid driven meaning no external power source is required
- ✓ Self lubricating
- ✓ Powerful jets up to 5 metres in length
- ✓ Easy to maintain. Can be stripped and reassembled in 15 minutes.
- ✓ Self-cleaning and hygienic

### SPRAY CHARACTERISTICS

- ✓ Flow rates: 45 - 198 l/min
- ✓ Working Pressure: 3 - 10 bar
- ✓ Jet length: Up to 5 metres
- ✓ Wash pattern: 360°
- ✓ Cycle times: 1.8-6 minutes
- ✓ Materials:
  - Housing: 316L
  - Nozzle Head: 316L
  - Gears: PEEK + 316 SS
  - Bushings: Carbon Filled PTFE
- ✓ Weight: 2.5Kg



The Orbitor Eco is a fully self-cleaning machine and is made from food/pharmaceutical grade materials.

The Orbitor Eco can complete a cleaning cycle in under two minutes. With such fast cleaning cycles and low flow rates, it is the most efficient way to clean and rinse moderate residues and even tough residues in small tanks such as IBCs.

CALL NOW : +44 (0) 1273 400092

[www.spray-nozzle.co.uk](http://www.spray-nozzle.co.uk)

The Go-to People for spray nozzle solutions

## How it works

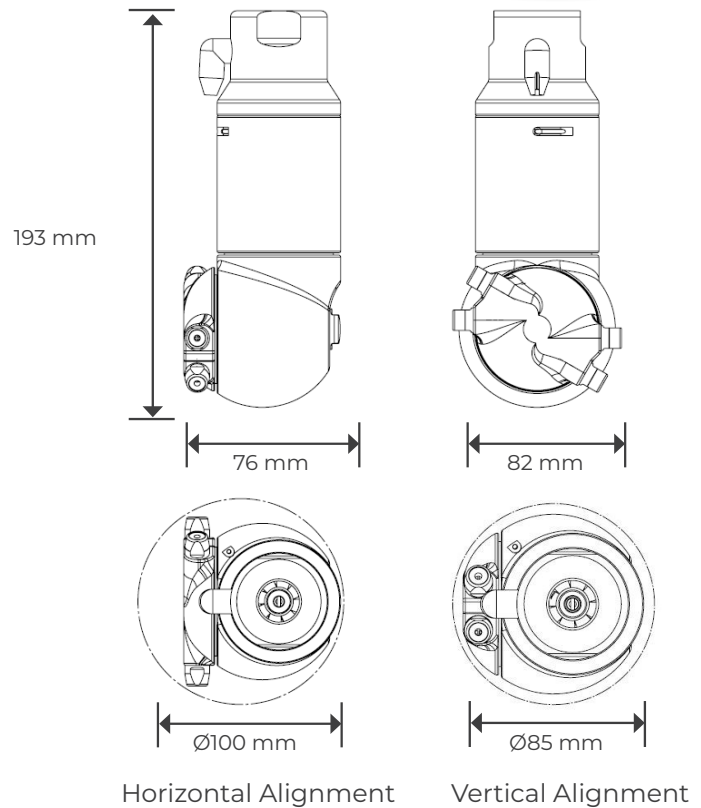
The Orbitor Eco is a fluid driven rotary jet cleaner. The cleaning fluid is pumped through the Orbitor and this first passes through a turbine which causes the two nozzle arms to spin. The fluid then passes through the nozzles forming a powerful cleaning jet. As the arms rotate the main body also rotates in a set pattern. This is geared so that over a specific period of time (the clean cycle) the cleaning jets are brought to bear on each part of the tank ensuring a thorough, methodical clean.

For each configuration of Orbitor there will a maximum jet length for any given fluid pressure. The max jet length is the overall reach of the resulting spray. The effective cleaning jet length is smaller than this and represents the distance from the machine where a reasonable cleaning action will be achieved. Clearly a more robust clean will be given the further within the effective jet length the target sits.

## Made in the UK



The Orbitor is manufactured in the UK exclusively for The Spray Nozzle People by Dasic Marine



## Orbitor Eco

Flow rates, jet lengths and cycle times

### Model Type

Bar	4x3mm			4x4mm			4x5mm			4x6mm		
	Flow rate l/min	Jet Length (m)	Cycle Time (min)	Flow rate l/min	Jet Length (m)	Cycle Time (min)	Flow rate l/min	Jet Length (m)	Cycle Time (min)	Flow rate l/min	Jet Length (m)	Cycle Time (min)
3	45.0	1.0	6.0	66.7	2.0	5.5	88.3	2.5	4.5	115.0	3.0	4.0
4	51.7	1.5	5.5	75.0	2.4	4.8	100.0	3.0	4.0	126.7	3.5	3.5
5	58.3	2.0	5.0	85.0	3.0	4.3	110.0	3.4	3.5	138.3	3.7	3.0
6	65.0	2.3	4.4	93.3	3.3	3.8	120.0	3.6	3.0	151.7	4.0	2.7
7	71.7	2.5	4.0	101.7	3.6	3.3	130.0	4.0	2.8	163.3	4.5	2.4
8	78.3	2.8	3.5	110.0	3.8	2.9	140.0	4.2	2.5	175.0	4.7	2.1
9	85.0	3.0	3.1	118.3	4.0	2.6	148.3	4.5	2.1	186.7	5.0	1.8
10	90.0	3.0	3.0	126.7	4.0	2.5	156.7	4.5	2.0	198.3	5.0	1.8