

# Orbitor Eco

## Rotary Jet- Very Fast Cycle

The Orbitor Turbo is a new breed of impingement tank cleaners designed to vastly improve water and a time efficiency. Unlike conventional impingement cleaners that have been geared for power, this tank cleaning head has been geared to produce a very fast cleaning cycle that uses very little water.

Despite its very fast cycle time and low water consumption the Orbitor Turbo still delivers powerful impact cleaning. When compared to static spray balls and rotary spray balls the cleaning power of the Orbitor is far greater. This means that it is a far more efficient cleaning head.

## Key product features

- Up to 95% water saving when compared to static spray balls
- Up to 75% water saving when compared to rotary spray balls
- Entirely fluid driven meaning no external power source is required
- Jets with up to 4 metres effective cleaning radius
- Easy to maintain. Can be stripped and reassembled in 15 minutes.
- Self cleaning and hygienic design suitable for food and pharmaceutical applications
- Very fast cycle times between 2 - 11 minutes

## Made in the UK



The Orbitor is manufactured in the UK exclusively for The Spray Nozzle People by Dasic Marine.



### Spray characteristics:

Flow rates: 45- 198 l/min  
 Working Pressure: 4 - 12 bar  
 Jet length: Up to 5 metres  
 Wash pattern: 360°  
 Cycle times: 1.7 - 6 minutes

### Materials:

Housing: 316L  
 Nozzle Head: 316L  
 Gears: PEEK + 316 SS  
 Bushings: Carbon Filled PTFE

Weight: 2.5Kg

ROTARY JET

## Key Advantages

- **Efficient** With fast cycles and low flow rate the Orbitor Eco is the most efficient way to clean and rinse light to moderately tough residues.
- **Hygienic** The Turbo is a fully self cleaning machine and is made from food / pharmaceutical grade hygienic materials.
- **Effective** The Turbo is a highly effective cleaning machine delivering superior cleaning power to tanks up to 8 metres in diameter.
- **Fast** The Orbitor Eco can complete a cleaning cycle in under two minutes. This means that down time can be minimised.

# Orbitor Eco

## Rotary Jet- Very Fast Cycle

### How it works

The Orbitor Turbo is a fluid driven rotary jet cleaner. The cleaning fluid is pumped through the Orbitor and this first passes through a turbine which causes the two nozzle arms to spin. The fluid then passes through the nozzles forming a powerful cleaning jet. As the arms rotate the main body also rotates in a set pattern. This is geared so that over a specific period of time (the clean cycle) the cleaning jets are brought to bear on each part of the tank ensuring a thorough, methodical clean.

For each configuration of Orbitor there will be a maximum jet length for any given fluid pressure. The max jet length is the overall reach of the resulting spray. The effective cleaning jet length is smaller than this and represents the distance from the machine where a reasonable cleaning action will be achieved. Clearly a more robust clean will be given the further within the effective jet length the target sits.

### Wash cycle times

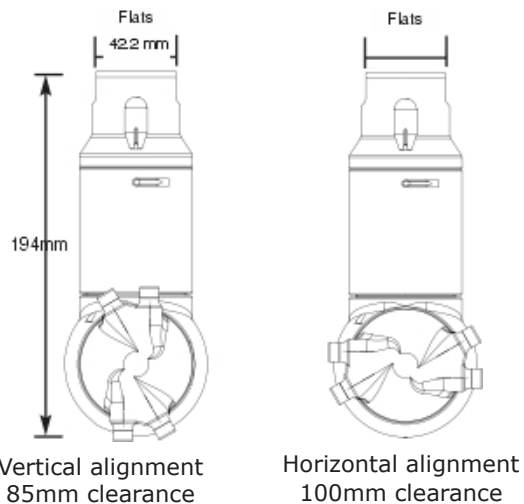
BAR	4x3mm			4x4mm			4x5mm			4x6mm		
	Flow rate L/min	Jet length Mtr	Cycle Time Min	Flow rate L/min	Jet length Mtr	Cycle Time Min	Flow rate L/min	Jet length Mtr	Cycle Time Min	Flow rate L/min	Jet length Mtr	Cycle Time Min
3	45.0	1.0	6	66.7	2.0	5.5	88.3	2.5	4.5	115.0	3.0	4
4	51.7	1.5	5.5	75.0	2.4	4.8	100.0	3.0	4	126.7	3.5	3.5
5	58.3	2.0	5	85.0	3.0	4.3	110.0	3.4	3.5	138.3	3.7	3
6	65.0	2.3	4.4	93.3	3.3	3.8	120.0	3.6	3	151.7	4.0	2.7
7	71.7	2.5	4	101.7	3.6	3.3	130.0	4.0	2.8	163.3	4.5	2.4
8	78.3	2.8	3.5	110.0	3.8	2.9	140.0	4.2	2.5	175.0	4.7	2.1
9	85.0	3.0	3.1	118.3	4.0	2.6	148.3	4.5	2.1	186.7	5.0	1.8
10	90.0	3.0	3	126.7	4.0	2.5	156.7	4.5	2	198.3	5.0	1.8

These are effective cleaning jet lengths so the Orbitor can clean a tank with a diameter approximately twice these lengths. It will produce wetting at a distance approximately 50% higher than those shown in the table above.

### Configurations

Feature	Available Options
Hygienic	As standard. Non-hygienic as an option.
ATEX	ATEX or available
Clean Pattern	360° only
Nozzle Sizes	3,4,5 or 6mm

### Dimensions



ROTARY JET