



THE
SPRAY NOZZLE
PEOPLE

Spiral Air

Three stage atomising
High Flow



AIR ATOMISING

DESIGN FEATURES

- ✓ A two-fluid nozzle using any gas as the atomizing fluid
- ✓ Three-stage atomization for highest performance
- ✓ Designed for high reliability in extremely hostile environments
- ✓ Efficient design reduces compressed air consumption

SPRAY CHARACTERISTICS

- ✓ Spray patterns: Full Cone and Flat Fan
- ✓ Spray angles: 20° to 90°
- ✓ (Other angles available by special order)
- ✓ Flow rates: 2.0 to 80 l/min

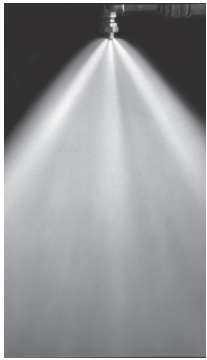


The SpiralAir is a high flow rate, air atomising nozzle. It has a three stage atomisation process that will deliver fine droplets in a dense fog. A variety of different spray pattern types are available as well as a large number of mounting and positioning lances to insert the nozzle into gas flows. Gas cooling is the primary application this type of nozzle is used in but it can be used in any tough, hot, environment where an atomised spray needs to be delivered.

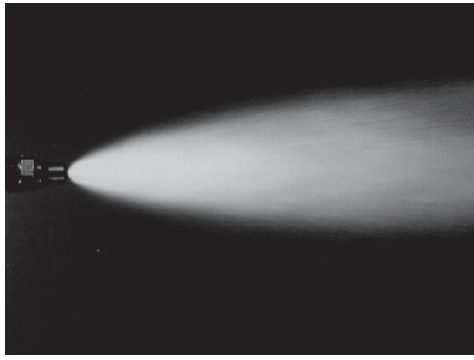
CALL NOW : +44 (0) 1273 400092

www.spray-nozzle.co.uk

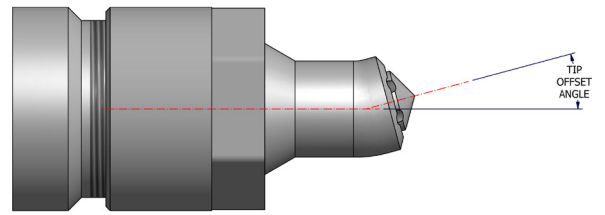
The Go-to People for spray nozzle solutions



Wide Round 90°

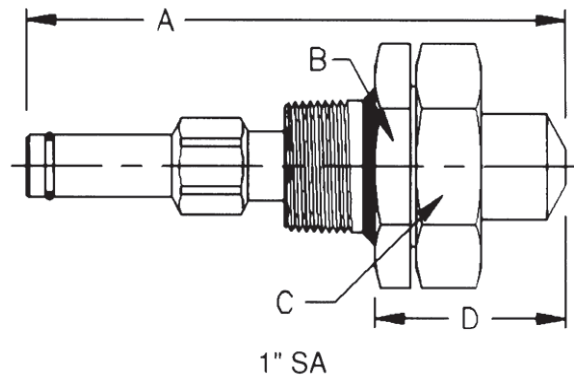
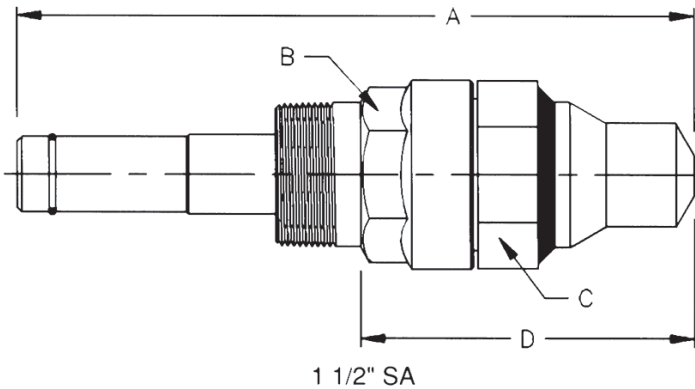
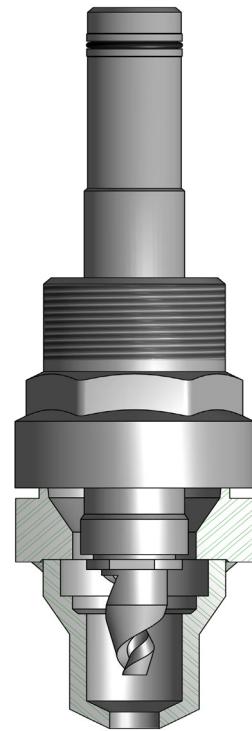


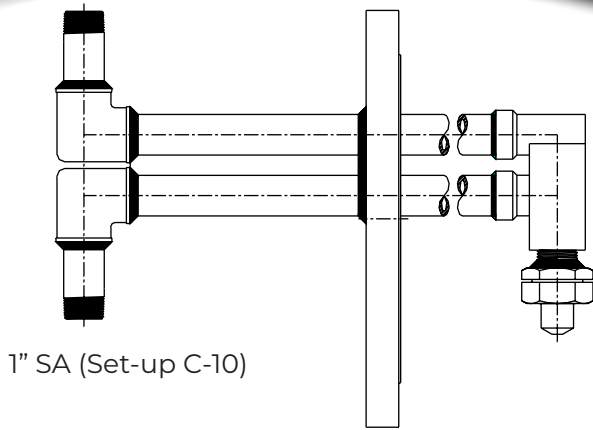
Narrow Round 20°



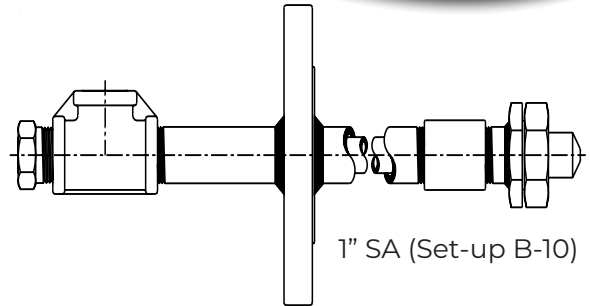
SpiralAir Spray Set-up, Spiral Tip and Dimensions

Spray Set-Up No.	Tip No.	Spray Angle	Spray Type	Approx Free Pass Dia (mm)	Pipe Size	Dimensions (mm)				Wt (Kg)
						A	B	C	D	
SA 101		20°	Narrow Round	4.83						
SA 308 SA 310	14	90° 60°	Wide Round	2.74 2.74	1"	148	50.8	50.8	50.8	0.64
SA 402 SA 404		90° 60°	Flat Fan	4.22 4.22						
SA 103		20°	Narrow Round	7.14						
SA 307 SA 309	20	90° 60°	Wide Round	3.48 3.48	1"	148	50.8	50.8	50.8	0.64
SA 401 SA 403		90° 60°	Flat Fan	5.21 5.21						
SA 2100		20°	Narrow Round	9.27						
SA 2300 SA 2301	28	90° 60°	Wide Round	5.41 5.41	1 1/2"	229	50.8	55.6	113	1.5

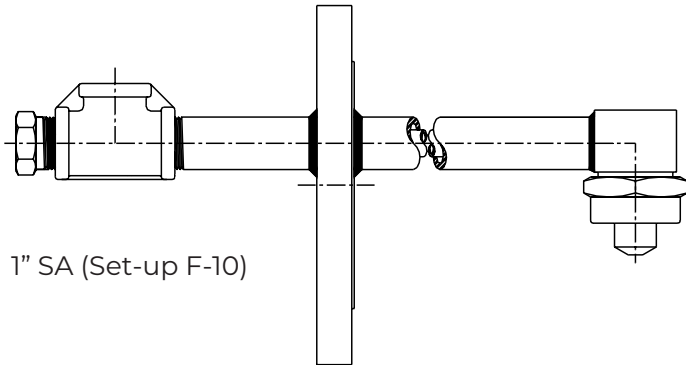




1" SA (Set-up C-10)



1" SA (Set-up B-10)



1" SA (Set-up F-10)

The SpiralAir can be configured to fit any installation requirement. The examples shown here are just a small sample.

Since very small variations in liquid pressure produce large variations in liquid flow we recommend using a metering pump or other flow measuring device to control liquid flow

SpiralAir Set-Up Flow Rates

Narrow, Wide and Flat Fan Patterns 1" and 1 1/2" BSP or NPT

Spiral Tip Rating	2 bar air			3 bar air			4 bar air			5 bar air			6 bar air			7 bar air		
	Liquid l/min	Liquid (Bar)	Air Nm ³ /hr	Liquid l/min	Liquid (Bar)	Air Nm ³ /hr	Liquid l/min	Liquid (Bar)	Air Nm ³ /hr	Liquid l/min	Liquid (Bar)	Air Nm ³ /hr	Liquid l/min	Liquid (Bar)	Air Nm ³ /hr	Liquid l/min	Liquid (Bar)	Air Nm ³ /hr
14	2	1.8	47.1	2	2.7	77.9	2	3.7	110.3	2	4.7	144	2	5.9	179.2	2	7.1	215.8
	3	1.9	36.1	3	2.8	59.8	3	3.8	84.6	3	4.8	110.5	3	6	137.5	3	7.2	165.7
	4	2	29.9	4	2.9	49.6	4	3.9	70.1	4	4.9	91.6	4	6.1	114	4	7.3	137.3
	5	2.1	25.8	5	3	42.8	5	4	60.6	5	5	79.2	5	6.2	98.6	5	7.4	118.7
	6	2.1	22.9	6	3.1	38	6	4.1	53.8	6	5.1	70.3	6	6.3	87.5	6	7.5	105.4
	7	2.2	20.7	7	3.1	34.4	7	4.1	48.7	7	5.2	63.6	7	6.4	79.1	7	7.6	95.3
	8	2.3	19	8	3.2	31.5	8	4.2	44.6	8	5.3	58.3	8	6.5	72.5	8	7.7	87.4
	9	2.3	17.6	9	3.3	29.2	9	4.3	41.3	9	5.4	54	9	6.5	67.2	9	7.8	80.9
	10	2.4	16.4	10	3.3	27.2	10	4.3	38.5	10	5.4	50.4	10	6.6	62.7	10	7.9	75.5
	11	2.4	15.4	11	3.4	25.6	11	4.4	36.2	11	5.5	47.3	11	6.7	58.9	11	7.9	71
	12	2.4	14.6	12	3.4	24.2	12	4.4	34.2	12	5.6	44.7	12	6.8	55.7	12	8	67.1
	20	4	1.8	61.9	4	2.6	94.4	4	3.4	127.2	4	4.3	160.3	4	5.2	193.7	4	6.2
8		2	43	8	2.7	65.4	8	3.6	88.1	8	4.5	111	8	5.4	134.1	8	6.4	157.5
11		2.1	36.4	11	2.9	55.3	11	3.7	74.4	11	4.6	93.8	11	5.6	113.3	11	6.6	133
15		2.2	30.9	15	3	46.9	15	3.8	63.2	15	4.8	79.5	15	5.7	96.1	15	6.7	112.8
19		2.3	27.3	19	3.1	41.4	19	4	55.7	19	4.9	70.2	19	5.9	84.8	19	6.9	99.5
23		2.4	24.7	23	3.2	37.5	23	4.1	50.4	23	5	63.4	23	6	76.6	23	7	89.9
26		2.5	23.1	26	3.3	35.1	26	4.2	47.2	26	5.1	59.4	26	6.1	71.8	26	7.1	84.2
30		2.5	21.5	30	3.4	32.6	30	4.2	43.8	30	5.2	55.1	30	6.1	66.5	30	7.2	78.1
34		2.6	20.1	34	3.4	30.5	34	4.3	41	34	5.2	51.5	34	6.2	62.2	34	7.2	73.1
38		2.6	19	38	3.5	28.7	38	4.4	38.6	38	5.3	48.6	38	6.3	58.7	38	7.3	68.9
				40	3.4	67.2	40	4.3	104.7	40	5.3	147.2	40	6.3	194.6	40	7.4	247
				45	3.5	61.3	45	4.4	95.6	45	5.4	134.4	45	6.4	177.7	45	7.5	225.5
			50	3.5	56.5	50	4.4	88.2	50	5.4	123.9	50	6.5	163.8	50	7.6	207.9	
28			55	3.6	52.5	55	4.5	81.9	55	5.5	115.2	55	6.5	152.2	55	7.6	193.1	
			60	3.6	49	60	4.6	76.6	60	5.6	107.7	60	6.6	142.3	60	7.7	180.5	
			65	3.7	46.1	65	4.6	72	65	5.6	101.3	65	6.7	133.8	65	7.8	169.7	
			70	3.7	43.5	70	4.7	68	70	5.7	95.6	70	6.7	126.4	70	7.8	160.2	
			75	3.8	41.2	75	4.7	64.5	75	5.7	90.7	75	6.8	119.8	75	7.9	151.9	
			80	3.8	39.2	80	4.7	61.4	80	5.7	86.3	80	6.8	114	80	8	144.5	