

## Static Nozzle - Spiral Tank Wash Nozzle

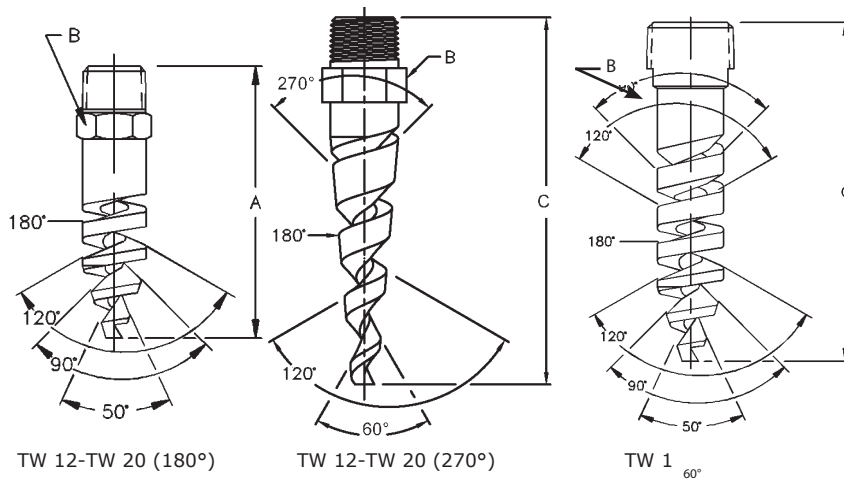
### DESIGN FEATURES

- Clog-resistant spiral design
- Energy efficient
- Compact design; fits small openings

### SPRAY CHARACTERISTICS

- Easy to maintain
- Unique patterns that spray in opposing directions

Flow rates: 11.4 to 260 l/min



Dimensions are approximate. Check with SNP for critical dimension applications.

Tank Washing TW Coverage Chart  
When Spraying at 2-3 bar

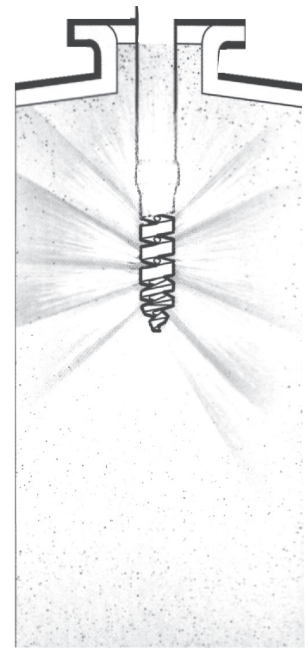
Pipe Size	Nozzle Number	Scrubbing Diameter (mm)	Rinsing Diameter (mm)
3/8	TW12	380	760
	TW14	460	1200
	TW16	610	1500
	TW20	910	2100
1/2	TW24	1200	2700
1	TW1	2400	6100

### Tank Washing TW - Flow Rates and Dimensions

Spray Angles: 180° et 270° - Pipe sizes 3/8", 1/2" et 1" BSP or NPT

Male Pipe Size	Nozzle Number	Spray Angles	K Factor	Litres per l/min						Orifice Dia	Pass Dia	Dim Metal (mm)			Weight (g)
				0.7 Bar	1 Bar	2 Bar	3 Bar	4 Bar	5 Bar			A	B	C	
3/8	TW12	180°, 270°	13.7	11.4	13.7	19.3	23.7	27.3	30.6	4.83	3.30	73.0	17.5	92.1	49.6
	TW14	180°, 270°	18.5	15.4	18.5	26.1	32	36.9	41.3	5.59	3.30				
	TW16	180°, 270°	24.2	20.2	24.2	34.2	41.8	48.3	54.0	6.35	3.30				
	TW20	180°, 270°	37.6	31.5	37.6	53.2	65.1	75.2	84.1	7.87	3.30				
1/2	TW24	270°	54.9	46.0	54.9	77.7	95.1	110	123	10.4	4.32		22.2	108.0	181
1	TW1	270°	116	97.2	116	164	201	232	260	14.2	5.08		28.7	146.1	298

Spray angle performance varies with pressure. Contact SNP for specific data on critical applications.



STATIC