



THE
SPRAY NOZZLE
PEOPLE

Uni MK2

Nozzle Holder
Clamp On
Fixed

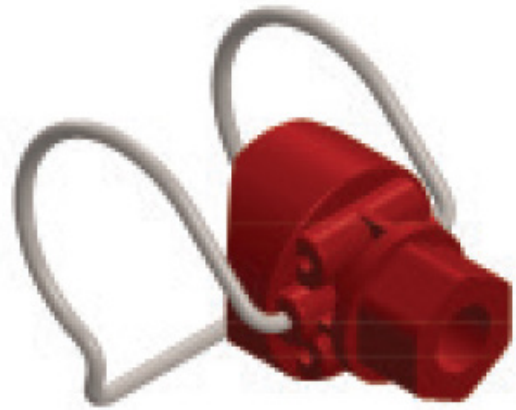
NOZZLE HOLDERS

DESIGN FEATURES

- ✓ Clamp on nozzle holders.
- ✓ Available with 1/8", 1/4", 3/8" or 1/2" female threads to take suitable male threaded nozzles
- ✓ Wide threaded nozzles available
- ✓ Single clamp suitable up to 4 bar pressure
- ✓ Double clamp suitable up to 6 bar pressure
- ✓ Clamps suitable for 1", 1 1/4", 1 1/2" and 2" nominal bore pipe

BENEFITS

- ✓ No need to thread into pipe work
- ✓ Easily removable for maintenance

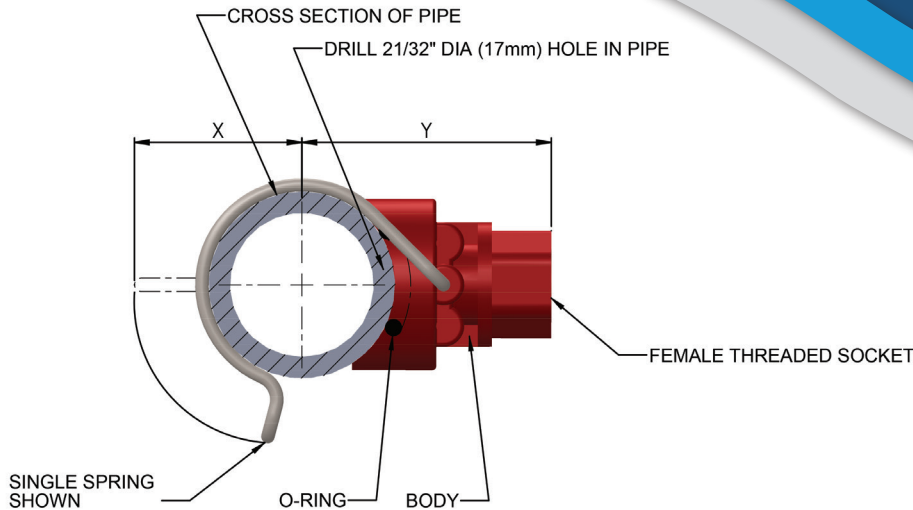


The MK2 nozzle holder is a handy way to attach spray nozzles to pipe work. The holder clamps around the pipe and a spigot with an o-ring inserts into a pre-drilled hole in the pipe. This attaches the clamp holder and forms a seal suitable for liquid pressures up to 4 bar (6 bar for the double clamp). The holder has a female thread to take any threaded nozzle. This product eliminates the need for threads to be tapped into pipe work, saving time and money.

CALL NOW : +44 (0) 1273 400092

www.spray-nozzle.co.uk

The Go-to People for spray nozzle solutions



Clamp Sizes

The MK1 clamp holders were specified to fit around standard schedule 40 steel pipes with the stated nominal bore (1" - 2"). Plastic piping is generally listed as the outer diameter in mm which differs somewhat from the outer diameters of standard steel pipe. There is some leeway in the spring clamps and the MK1 holder is suitable for most standard plastic pipe. The table below should serve as a guide to size the correct clamp holder.

Clamp size Nominal bore	Standard ID for schedule 40 pipe	Standard OD for schedule 40 pipe	Max OD for clamps to fit	Min OD for clamps to fit
1"	25.4mm	33.4mm	35mm	32mm
1 ¼"	35.1mm	42.2mm	44mm	40mm
1 ½"	40.9mm	48.3mm	50mm	47mm
2"	52.5mm	60.3mm	63mm	59mm