



THE
SPRAY NOZZLE
PEOPLE

Uni-Saddle

PIPE SADDLE ADAPTORS

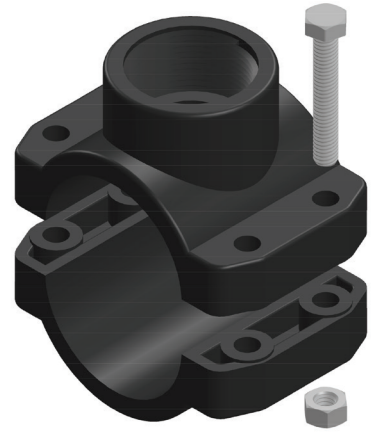
COUPLERS

DESIGN FEATURES

- ✓ Resistant to a wide range of caustic and acid-based chemicals
- ✓ Operating temperature range is approximately 0 ° to 130 ° C
- ✓ Will operate effectively at pressures up to 10.3 bar
- ✓ Compression seal o-ring ensures sealing
- ✓ Take off pipes from 1/2" to 2" NB
- ✓ Feed pipes from 1" to 6"

BENEFITS

- ✓ Eliminates the higher cost of back welding female couplers to thermoplastic pipe
- ✓ Simplifies on-site installation and repairs



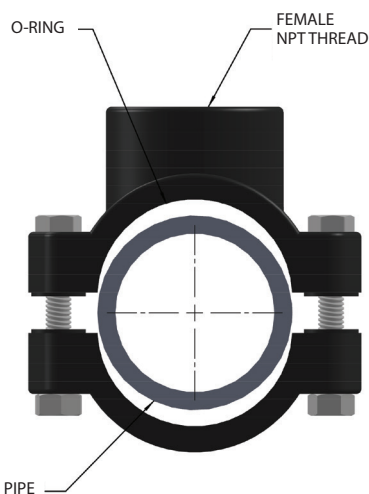
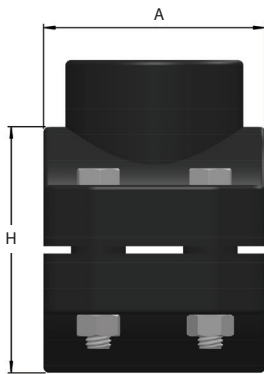
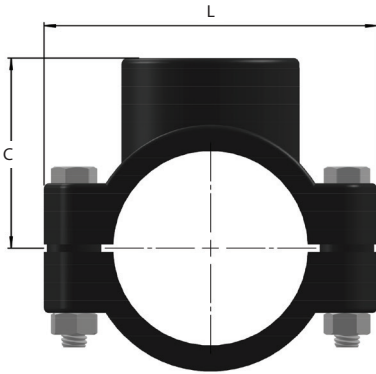
High-quality injection-molded pipe fitting which can be installed on an existing pipe in minutes. These saddle adapters allow for smaller pipes to be attached to larger main feed pipes without welding.

The Uni-Spray Saddle adapters are widely used in pre-treatment spray tunnels but can be used in a wide variety of other applications.

CALL NOW : +44 (0) 1273 400092

www.spray-nozzle.co.uk

PIPE SADDLE DIMENSIONS



PART NO.	PIPE SIZE	TAKE-OFF	L	H	C	A
100SAD050	25 mm (1")	1/2"	79.1	42.0	40.0	49.0
100SAD075	25 mm (1")	3/4"	79.1	42.0	40.0	49.0
125SAD050	32 mm (1 1/4")	1/2"	86.0	52.1	45.0	62.0
125SAD075	32 mm (1 1/4")	3/4"	86.0	52.1	45.0	62.0
125SAD100	32 mm (1 1/4")	1"	86.0	52.1	45.0	62.0
150SAD050	40 mm (1 1/2")	1/2"	86.0	62.0	50.0	62.0
150SAD075	40 mm (1 1/2")	3/4"	86.0	62.0	50.0	62.0
150SAD100	40 mm (1 1/2")	1"	86.0	62.0	50.0	62.0
200SAD100	50 mm (2")	1"	101.1	77.1	58.1	62.0
200SAD125	50 mm (2")	1 1/4"	101.1	75.0	58.1	62.0
200SAD150	50 mm (2")	1 1/2"	101.1	75.0	58.1	62.0
250SAD100	63 mm (2 1/2")	1"	116.0	89.0	66.1	77.1
250SAD125	63 mm (2 1/2")	1 1/4"	116.0	89.0	66.1	77.1
250SAD150	63 mm (2 1/2")	1 1/2"	116.0	89.0	66.1	77.1
300SAD100	75 mm (3")	1"	132.0	106.1	77.1	87.0
300SAD125	75 mm (3")	1 1/4"	132.0	106.1	77.1	87.0
300SAD150	75 mm (3")	1 1/2"	132.0	106.1	77.1	87.0
300SAD200	75 mm (3")	2"	132.0	106.1	77.1	87.0
400SAD100	100 mm (4")	1"	172.0	140.0	94.0	101.0
400SAD125	100 mm (4")	1 1/4"	172.0	140.0	94.0	101.0
400SAD150	100 mm (4")	1 1/2"	172.0	140.0	94.0	101.0
400SAD200	100 mm (4")	2"	172.0	140.0	94.0	101.0
600SAD100	150 mm (6")	1"	236.9	191.8	133.6	168.0
600SAD125	150 mm (6")	1 1/4"	236.9	191.8	133.6	168.0
600SAD150	150 mm (6")	1 1/2"	236.9	191.8	133.6	168.0
600SAD200	150 mm (6")	2"	236.9	191.8	133.6	168.0